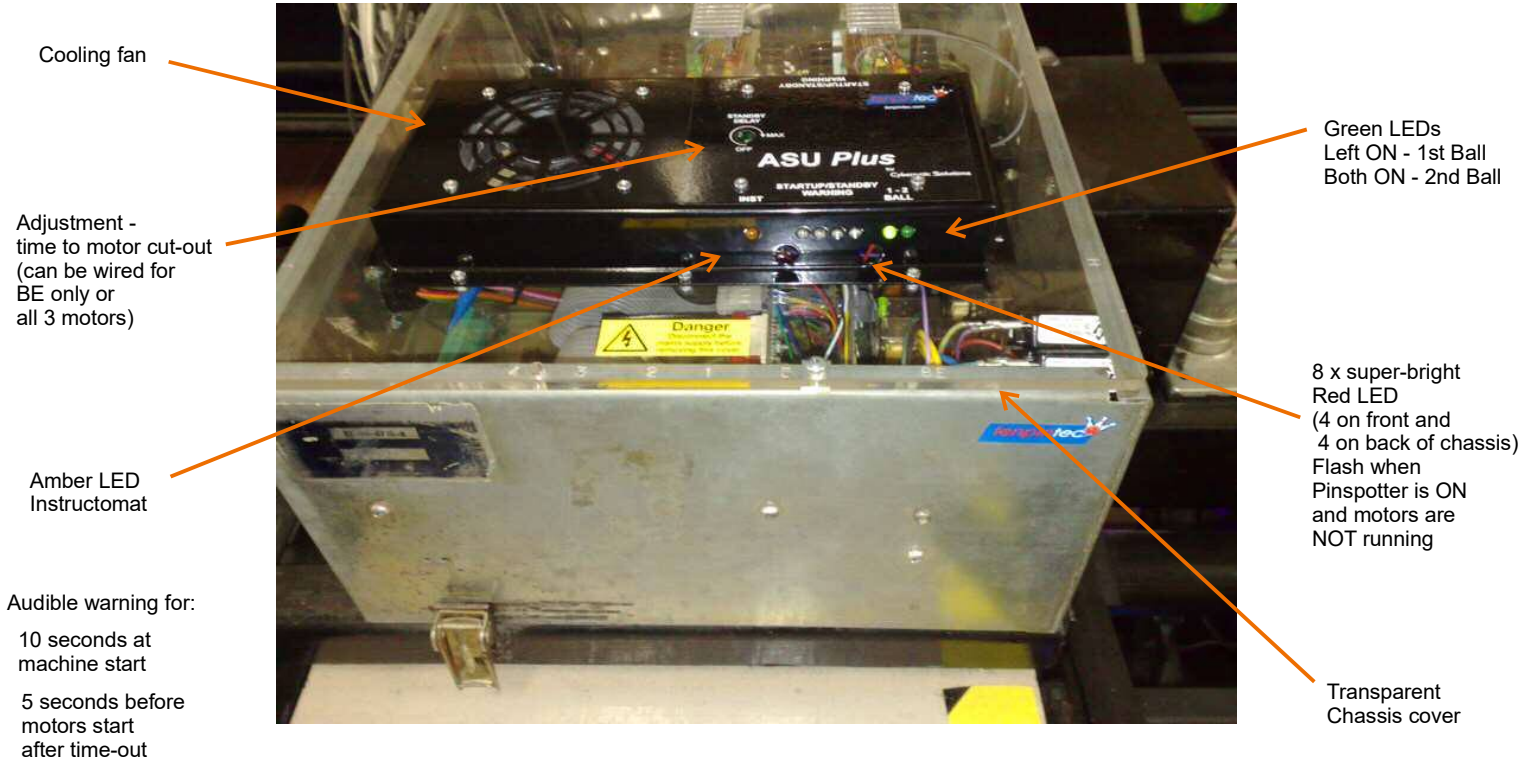


# ASU Plus

## For AMF 82-70 Pinspotters



Document version 16 DEC 2022



### Installation Steps:

1. Turn off machine and remove chassis
2. Take wiring harness and hold the 8 way connector in a position where it will mate with the circuit board in the ASU Plus chassis cover. Then route the wires through chassis to their respective connection points
3. Solder the 6 wires of the cable harness to under side of motherboard as shown in diagram top of page 2
4. Connect the remaining 2 wires (violet) as shown at the bottom of page 2 to enable either BE only or S,T & BE motors to be disabled when the ASU times out
5. Plug the 8 way connector into the circuit board under the ASU Plus chassis cover
6. Fit the two captive nuts to the top lip of the chassis
7. Place the chassis cover onto the chassis and secure it in place with the provided screws
8. If more chassis cover security is required, drill two 5mm holes in the chassis top lip to align with the extra two holes in the chassis cover. Fit the additional two captive nuts and secure with screws

### Operation:

Turn on Pinspotter

Cooling fan will start  
1st Ball or 2nd Ball LED will light  
Audible alarm will sound and super-bright red LEDs will flash for 10 seconds  
This is a safety warning

BE motor will then start

Instructomat LED will light if selected at front desk

Run-time of motors can be adjusted on top panel of ASU Plus. Maximum is in excess of 30 minutes and minimum is zero

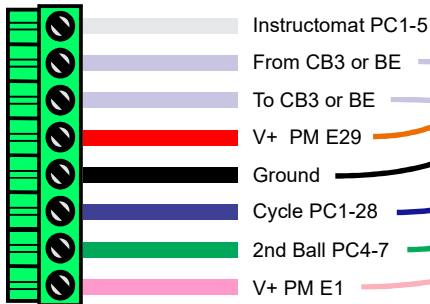
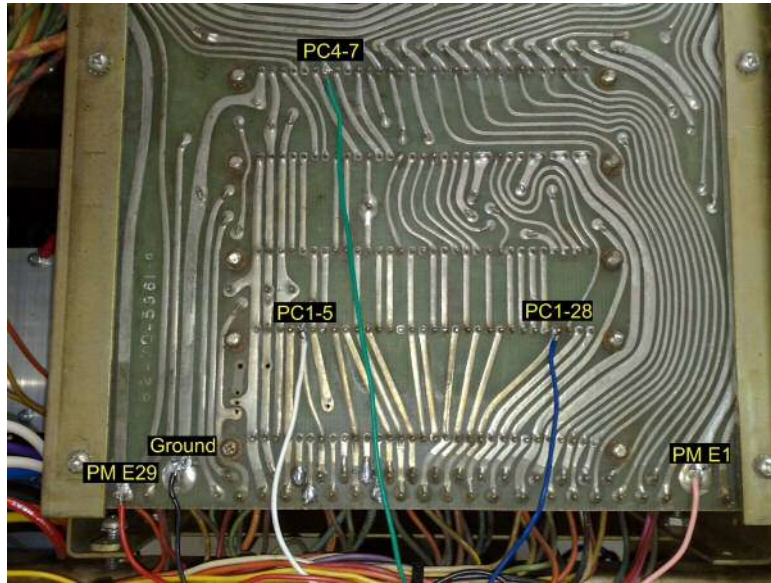
Adjustable Run-time can be applied to BE motor only or all motors (see alternate wiring diagrams bottom of page 2)

During time-out mode, red super-bright LEDs will continue to flash, indicating machine is live although BE motor is not running

After motor time-out, if the Pinspotter is cycled by any means, an audible warning will sound for 5 seconds and the red LEDs will continue to flash. After 5 seconds, the BE motor will start (and the Sweep and Table Motors will be reconnected through F3 (or CB3) if this connection option has been chosen)

# ASU Plus

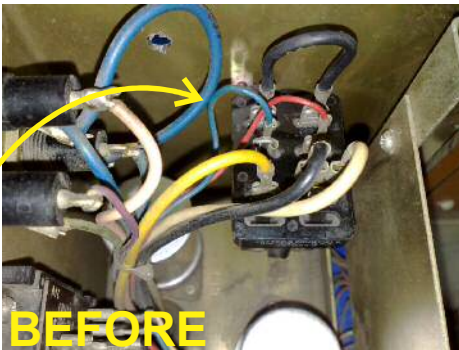
For AMF 82-70 Pinspotters



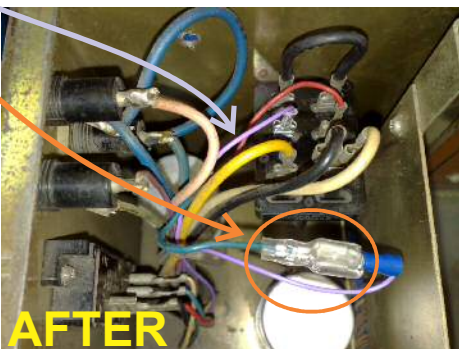
Recommended option  
for optimum safety



BE relay has been removed to  
BE Control Box on this machine



To disable BE motor only at time out, remove **BLUE wire from BE relay** (coil) and connect to **one of the new PURPLE wires**. Connect the other new PURPLE wire to the coil of the BE Relay where the original BLUE wire came from.



Timer  
disables  
BE Motor  
only

OR

Timer  
disables  
Sweep Motor  
Table Motor  
BE Motor



To disable Sweep, Table and BE motors at time out, remove **existing PURPLE wire** from F3 or CB3, connect **one new PURPLE** to the wire just removed and connect the other new PURPLE wire to the CB3 where the original PURPLE wire came from.

